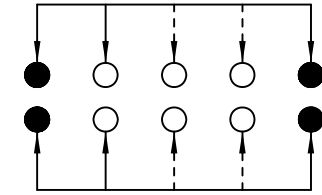
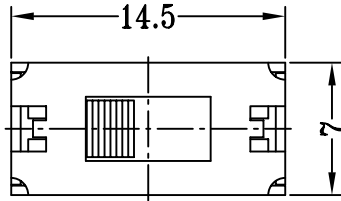
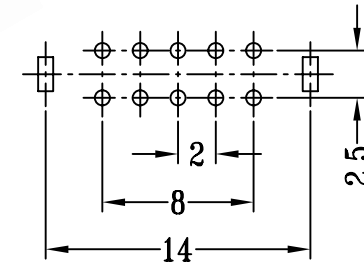
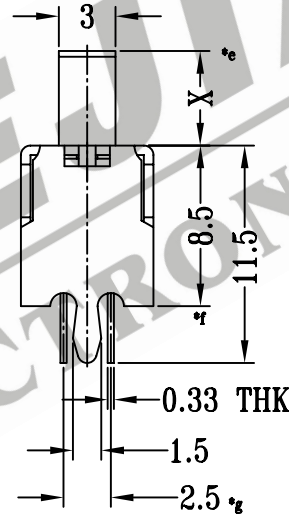
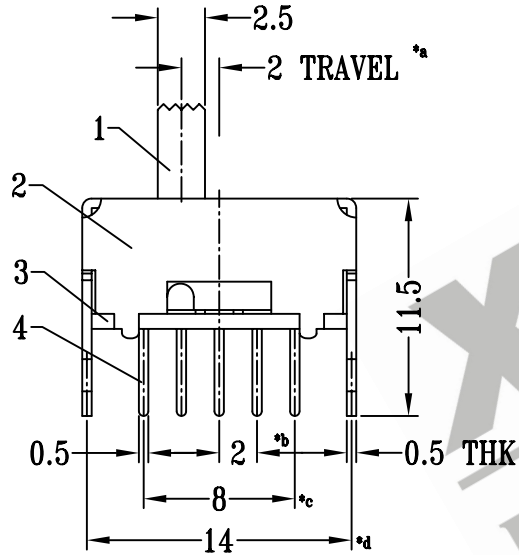


CAD FILE:



**SCHEMATIC (NON-SHORTING)**



**P.C.B LAYOUT**

注:带"\*"表示关键尺寸(7个)

NO.	PART NAME	MATERIAL	QTY	FINISHING	TOLERANCE UNLESS SPECIFIED	SHENZHEN XIEJIA ELECTRONICS CO.,LTD.				
8										
7										
6	SPRING PLATE	STAINLESS STEEL	1	NATURAL	WITHIN: 1.5±0.1mm	ISSUE	DATE	DESCRIPTIONS		APPD
5	CONTACT CLIP	PBS	2	Ag CLAD	OVER : 1.5±0.2mm					
4	TERMINAL	BRASS STRIP	10	Ag PLATED OVER Ni PLATED	TITLE: VERTICAL SLIDE SWITCH		UNIT : M M	DRWG NO.: XJ-DR-SS23D28-00		
3	BASE	PHENOLIC RESIN	1	NATURAL	MODEL: SS-23D28		SCALE: 5 : 2	DWN	ZHOUYU	2003-7-19
2	FRAME	STEEL STRIP	1	Zn PLATED				CHK'D	FANGYING	2003-7-19
1	KNOB	POM	1	BLACK	ALL MATERIALS MUST BE COMPLIANT TO ROHS		APPD	KANGXINAN	2003-7-19	